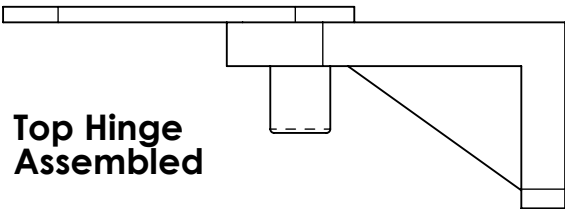
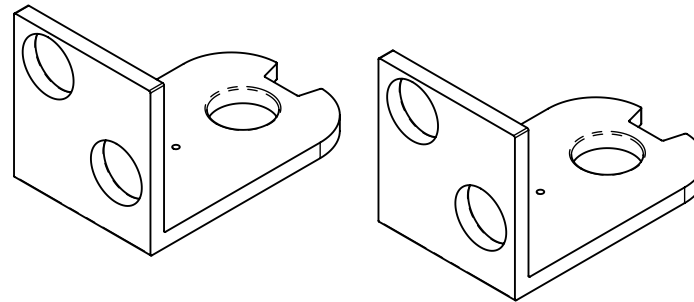
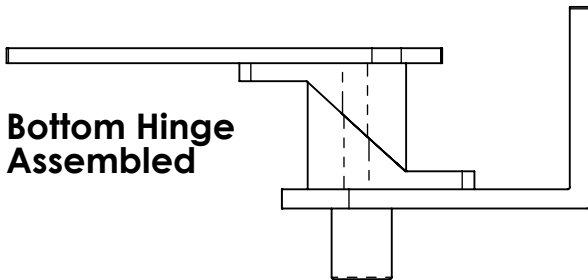


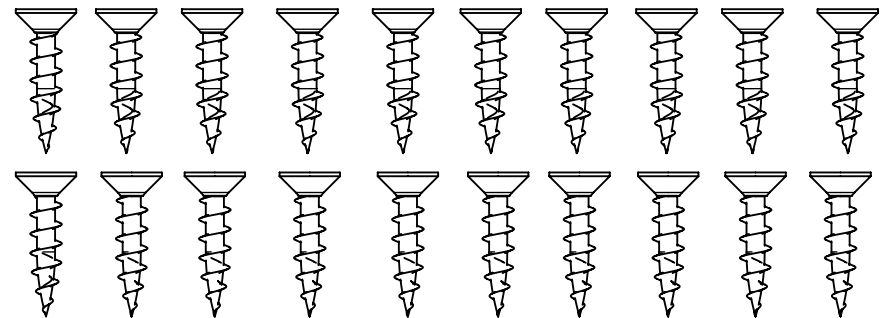
**Deduct 7/8" from Opening
For Cafe Hardware Clearance**



**Top Hinge
Assembled**



**Bottom Hinge
Assembled**



Approval Signature		<p>PROPRIETARY AND CONFIDENTIAL</p> <p>THE INFORMATION CONTAINED IN THIS DRAWING IS THE SOLE PROPERTY OF Southern Shutter Company. ANY REPRODUCTION IN PART OR AS A WHOLE WITHOUT THE WRITTEN PERMISSION OF Southern Shutter Company IS PROHIBITED.</p> <p>DO NOT SCALE DRAWING</p>	Quote/Order Number:	
Purchase Order No#:			CAFE-HINGE	
Date:			SIZE A	REV.
		SCALE:1:1		SHEET 1 OF 1